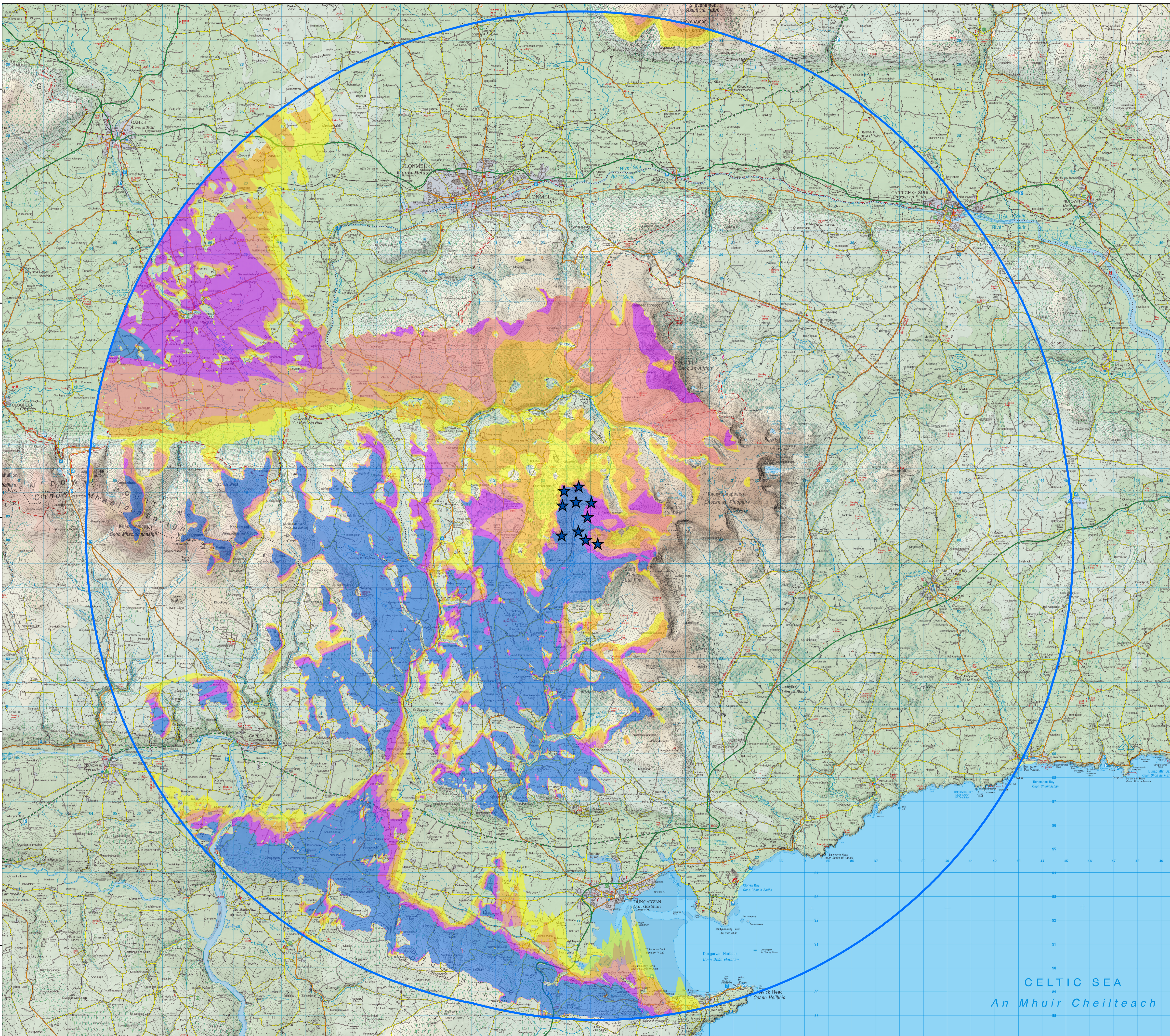


ZTV (Zone of Theoretical Visibility) indicating the areas that have a potential view of the proposed turbines at Coumragappul Wind Farm (Hub Height 104m)



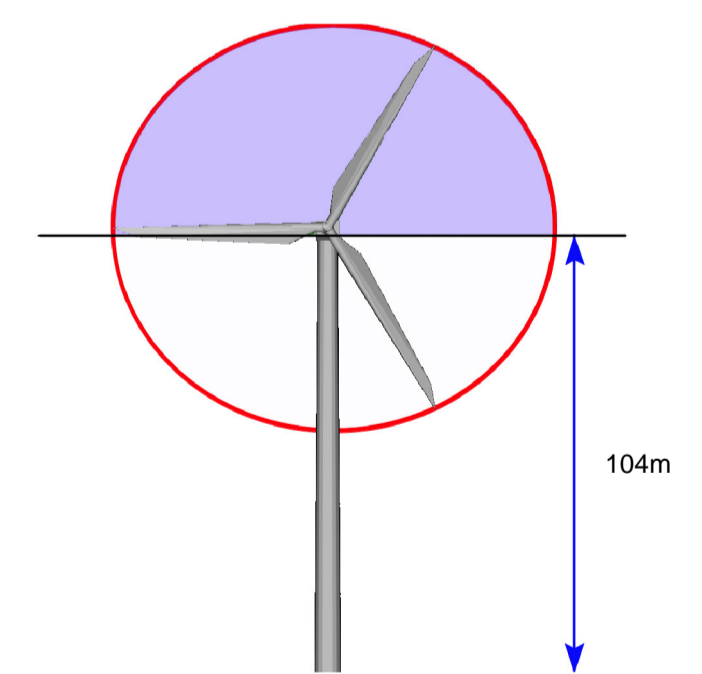
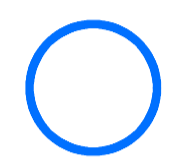
Proposed Turbines



No. Turbines Visible



20km Extent



This ZTV map has been calculated such that a turbine registers as been theoretically visible to observers in the surrounding landscape once there is an unobstructed line of sight to its hubs.

Observer Height assumed: 2m to eye-level height
Hub Heights: 104m

Note: This ZTV map is calculated for landform screening only and does not take account of the significant screening effects of vegetation (hedgerows, trees) and buildings inherent across the study area.

Scale: 1 : 78.000 if printed @ A1 size

